

Rolling rack for cable drums

galvanized steel



Art.Nr. 79-140918-99

Min. External dimensions W x H x D
740 x 670 x 610 mm

Max. External dimensions W x H x D
1040 x 1000 x 610 mm

Weight : 39 kg (whole set)
35 kg (without 2 axles and 2 cones)

Rack material : Galvanized steel (rack)
Aluminium (axles)

High quality, adjustable, rolling rack designed for use with both small and medium fiber drums.

Smart design makes it possible to adjust the width of the stand, so it is ideal for use in the car on uneven surfaces.

Set Componets :

- Flexible steel frame (galvanized steel)
- Lifting towers with hand crank (galvanized steel)
- 4 x ball bearings (galvanized steel)
- 2 x axle cones (aluminum)
- 1 x long axle L = 1040 mm (aluminum)
- 1 x short axle L = 740 mm (aluminum)
- 1 x allen key (6 mm)
- 2 x pre-mounted spirit levels
- 4 x quick release pins

Features :

- Max. load 500 kg
- Drum diameters Ø 500-1250 mm
- Drum width 200-800 mm
- Drum hole diameter Ø 60-89 mm

Rolling rack for cable drums



Easy to disassemble/assemble



Adjustable width

frame regulation
740 / 1040 mm



Quick ReleasePins



Spirit levels both sides

hor. / ver. surface leveling



Right and left side can **tilt forwards/backwards** independently of each other, **max. 5 degrees**.



Adjustable height

short distance using the swinghandle



Swinghandle M22 hex output possible



Adjustable height

large distance

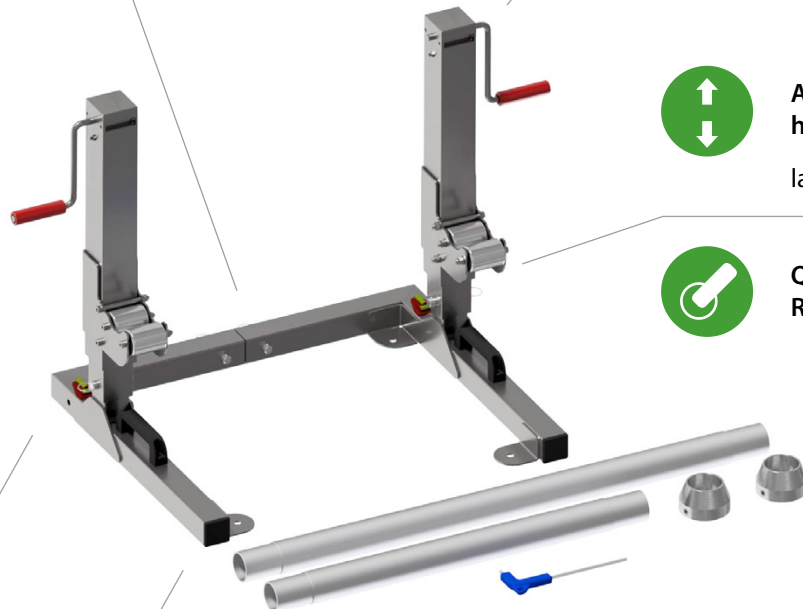


Quick ReleasePins

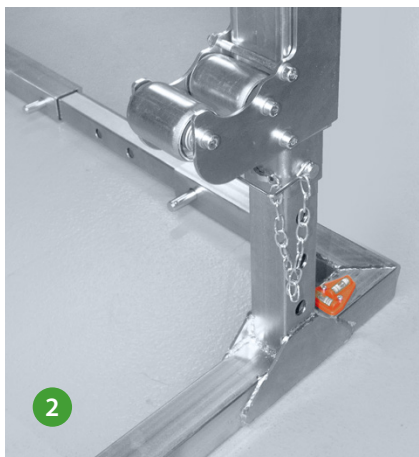


6 mm Allen key

mounting cons on the axle



Rolling rack for cable drums



Features and Benefits :

- Easy to assemble and disassemble
- Fast height adjustment with QuickRelease Pins
- Adjustable width for different drum types
- Right and left side can tilt forwards/backwards max. 5°
- Ideal for car usage and uneven surfaces
- Light weight

- 1 Drum Rack set is easy to disassemble and transport.
- 2 Quick Release Pins for fast height and width adjustments.
- 3 Aluminium cons mounted on the axle to fix the cable drum.
- 4 Lifting towers with hand crank (galvanized steel). Swinghandle can be replaced with M22 output.