



WWW.FIBERPOWERTECH.DK

FTTH Accessories

Product Catalog



FIBER OPTIC SOLUTIONS

Fiberpowertech Plutovej 78722 Hedensted Denmark phone: +45 75 89 22 99

mail: info@fiberpowertech.dk

www.fiberpowertech.dk



Table of content

<i>Introduction</i>	<i>4 - 5</i>
<i>Connectors for microducts</i>	<i>7 - 13</i>
<i>Connectors for teleducts</i>	<i>14 - 18</i>
<i>Accessories for micro/tele ducts</i>	<i>19 - 22</i>
<i>Manhole and accessories</i>	<i>23 - 26</i>
<i>Tools</i>	<i>27 - 32</i>
<i>Splice Boxes</i>	<i>33 - 51</i>
<i>Street Cabinets</i>	<i>52-57</i>
<i>Blowing Machines</i>	<i>58 - 63</i>
<i>Lubricants</i>	<i>64</i>
<i>Compact Receiver</i>	<i>65</i>

Introduction

Fiberpowertech provides a broad range of accessories for fiber network installation and maintenance. Ranging from machines for installation of fiber cable to duct scissors and connectors. In this catalogue you'll find a wide variety of connectors, connector boxes, manhole acc. and tools.

CONNECTORS

When working with products from GM Plast, you need the right kind of accessories.

Fiberpowertech provides a wide range of Connectors for assembling and terminating ducts and pipes, when working with products such as GM Flatliner, GM Multiduct and GM MultiSub.



All Fiberpowertech connectors are thoroughly tested and have been approved for use with products from GM Plast.

ADDITIONAL FEATURES:

- PUSH-FIT DESIGN
- ANIT-SHOCK COVER

CONNECTOR BOXES

Fiberpowertech supplies a wide range of accessories for working with GM Cable Ducts.

Branching off, connecting and port reducing can all be done with the available accessories from Fiberpowertech.

Made from sturdy and high quality long-lasting materials, all accessories are reliable and proven products that are specifically made for use with GM Cable Ducts. Years of experience have told us exactly what works in the field when working with ducts and pipes every day.

CONNECTOR BOXES:

- STRAIGHT CONNECTORS
- Y-CONNECTORS
- T-CONNECTORS
- H-CONNECTORS

MANHOLES

Manholes are a key component in any FTTx network. They allow you to easily and quickly access your network in the ground.

Fiberpowertech Manholes are made from a tough and very durable polycarbonate material, ideal for putting into the ground. All manholes are highly customizable and can be fitted with exactly the configuration you need for your network.

Available in a wide range of sizes and models.

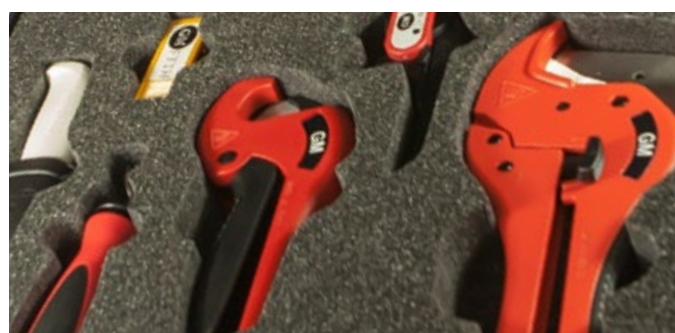


TOOLS

When building and maintaining your FTTx network, you need the right tools for the job.

Working in the field will stress and corrode your tools. By using only the most durable of materials and keeping the tools simple and easy to use, Fiberpowertech can supply you with a selection of the best tools for the job. We have spent years figuring out exactly what tools will get the job done, while also keeping expenses at a minimum.

Fiberpowertech supplies all the tools you need, for handling FTTx networks.



ACCESSORIES

No two FTTx networks are completely alike. Therefore you need the option to customize your network and your manholes, street cabinets and other components to exactly fit your specific network.

Fiberpowertech supplies a wide range of accessories for use with our products.

We frequently expand and widen our selection of available accessories.

(Splice Box FPT DW-2)



OUR EXPERIENCE

Fiberpowertech has been dealing with FTTx accessories for the past years, primarily for the FTTH market. We have been around the block (and underneath) many times.

We have been pushing, dragging, blowing, floating, connecting and branching off in every way imaginable since the 1990's. Fiberpowertech did a lot of pioneering and a lot of teaching, on how to install cable with air and water and using the correct accessories for the job through which we've gained vast experience in the field.



We produced the first micro blowing machine in 2000 and our first MultiSub Duct blowing machine in 2003.

To get the best results, Fiberpowertech worked with several of the leading cable producers, to change the outer sheet and memory effects of the standard duct cable (1996-1998).

Since 2001, Fiberpowertech has been constantly developing and improving micro cables.

In this catalogue we are summing up many years of our experiences. With us as a partners in your project you are sure to work with the best.

Ask us for an suggestions to get the job done, and if you like our ideas we would be glad to offer you the right material for the job that you want to have done.



FPT Connector (direct buried)



Size	Art.Nr.	MOQ
7 mm	28-FPTC007	80
8 mm	28-FPTC008	70
10 mm	28-FPTC010	40
12 mm	28-FPTC012	30
14 mm	28-FPTC014	20
16 mm	28-FPTC016	15
20 mm	28-FPTC020	10

- **Non-metallic**
- **Non-corrosive**
- **Fits all DIN-normed duct sizes**
- **FR version available**

PUSH -FIT design for quick and easy installation and disassembly.

FPT connectors are resistant to pressures used for blowing cables through microducts and provide protection from dirt and water.

In case of remounting : If the connector has been subjected to pressure, we recommend to replace the grippers.

FPT End Connector (direct buried)



Size	Art.Nr.	MOQ
7 mm	28-FPTE007	160
8 mm	28-FPTE008	140
10 mm	28-FPTE010	80
12 mm	28-FPTE012	60
14 mm	28-FPTE014	50
16 mm	28-FPTE016	30
20 mm	28-FPTE020	20

Performance :

- Temperature
Minimum working temperature : -15 °C
Maximum working temperature : +45 °C
- Pressure
Continuous working pressure : 16 bar
Peak working pressure : 20 bar
Burst pressure : >25 bar
- All connectors withstand 1,35 bar external water pressure
- Grip rings designed for PE >0,965 Density
- FPT connectors resist pull out forces between connector and the microduct :
Continuous pull-out (1h, 23°C)
 - 7 mm - > 300 N
 - 8 mm - > 350 N
 - 10 mm - > 450 N
 - 12 mm - > 500 N
 - 14 mm - > 900 N
 - 16 mm - > 950 N
 - 20 mm - > 1000 N

Straight Connector



Size(mm.)	Art.Nr.	MOQ
3	28-PFTC003	500
4	28-PFTC004	350
5	28-PFTC005	350
6	28-PFTC006	300
7	28-PFTC007	200
8	28-PFTC008	200
10	28-PFTC010	140
12	28-PFTC012	100
14	28-PFTC014	80
16	28-PFTC016	80
20	28-PFTC020	50

Reducing Connector



Size(mm.)	Art.Nr.	MOQ
5/3	28-PR005/003	500
6/5	28-PR006/005	260
7/4	28-PR007/004	260
7/5	28-PR007/005	260
8/3	28-PR008/003	260
8/5	28-PR008/005	260
8/7	28-PR008/007	260
10/7	28-PR010/007	140
10/8	28-PR010/008	140
12/7	28-PR012/007	120
12/8	28-PR012/007	120
12/10	28-PR012/010	120
14/10	28-PR014/010	80
14/12	28-PR014/012	80
16/10	28-PR016/010	60
16/12	28-PR016/012	60
16/14	28-PR016/014	60
20/12	28-PR020/012	15
20/14	28-PR020/014	15
20/16	28-PR020/016	15

End Connector



Size(mm.)	Art.Nr.	MOQ
3	28-PFTE003	600
4	28-PFTE004	600
5	28-PFTE005	600
6	28-PFTE006	500
7	28-PFTE007	400
8	28-PFTE008	400
10	28-PFTE010	300
12	28-PFTE012	200
14	28-PFTE014	180
16	28-PFTE016	120
20	28-PFTE020	100

Materials :

- Body - PC, impact resistant
- Collet - POM, stainless steel teeth
- O-Rings - Nitrile rubber

Performance :

- Temperature
 - Minimum working temperature : -20 °C
 - Maximum working temperature : +60 °C
- Pressure
 - Short time working pressure : 16 bar
- Insertion force 50N max. (5 kg)

Straight Connector



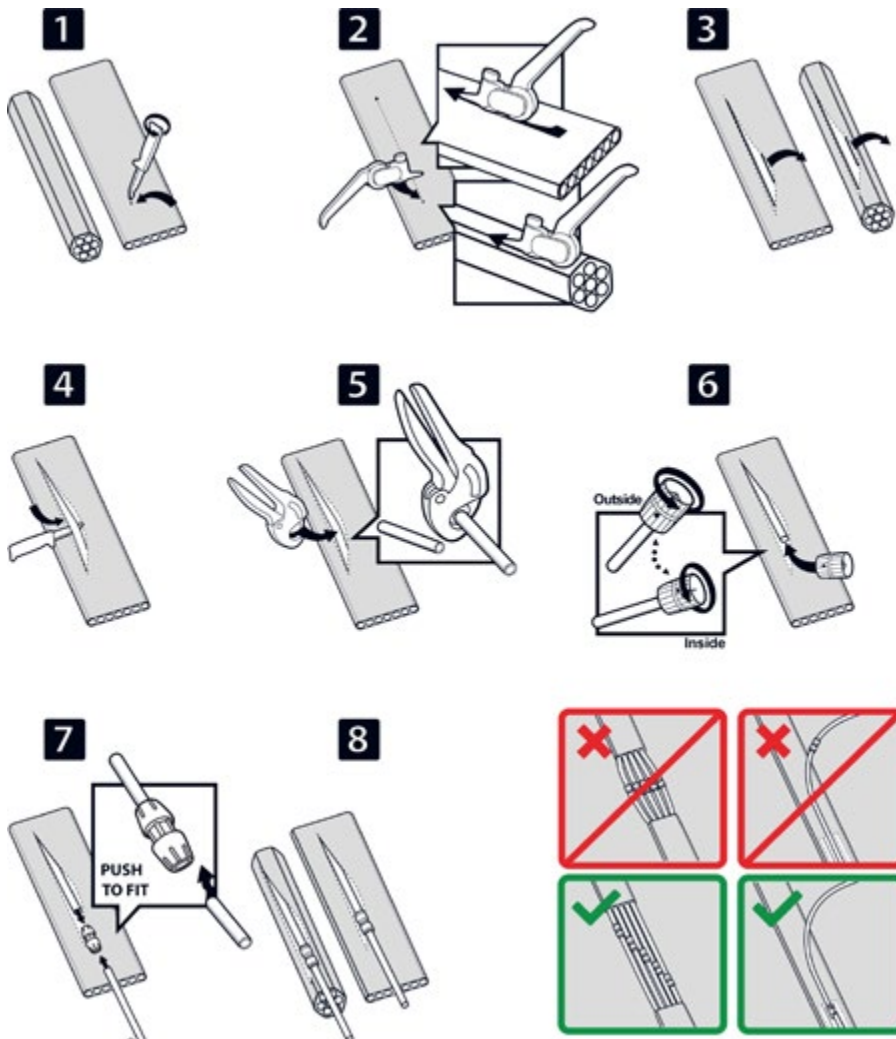
Size(mm.)	Art.Nr.	MOQ
18	28-J018/PM	25
20	28-J020/PM	25

Locking Clips



Size(mm.)	Art.Nr.	MOQ
5	28-TL05	100
6 - 7	28-TL06-07	100
8	28-TL08	100
10	28-TL010	100
12	28-TL012	100
14	28-TL014	100
16	28-TL016	100
20	28-TL020	100

How To - Mounting Connector



Microduct Seal

Air & Waterproof, up to 0.5 Bar



Size(mm.)	Art.Nr.	MOQ
5 / 1,0	28-F005/1,0	10
5 / 1,25	28-F005/1,25	10
5 / 1,8	28-F005/1,8	10
5 / 2,1	28-F005/2,1	10
7 / 1,0	28-F007/1,0	10
7 / 1,25	28-F007/1,25	10
7 / 1,8	28-F007/1,8	10
7 / 2,5	28-F007/2,5	10

Easy installation / Retrofitting

For easy gas- and watertight sealing of cables in miniducts.

Materials :

- Plastic housing - PC
- Sealing plug - TPE

Performance :

- Sealing : up to 0,5 bar
- Pull-out force duct seal vs duct : > 20N

Divisible duct repair kit



Size(mm.)	Art.Nr.	MOQ
5	33-F005	10
7	33-F007	10
8	33-F008	10
10	33-F010	10
12	33-F012	10
14	33-F014	10
16	33-F016	10
20	33-F020	10

Easy installation / Retrofitting

Divisible duct repair kit is suitable for connecting and repairing subducts which contain a cable. Our divisible sealing system enables you to install it easily onto to existing installations.

Materials :

- Material shells - glassfibre reinforced
- Material insert - Silicone

Performance :

- Gas and watertight up to 5,0 bar

Split End Connector

Air & Waterproof, up to 0.50 Bar



Size (mm.)	Art.Nr.	MOQ
10 / 2,5-3,5	28-F010/2,5-3,5	10
10 / 3,5-5,0	28-F010/3,5-5,0	10
10 / 5,0-6,5	28-F010/5,0-6,5	10
10 / 6,5-8,0	28-F010/6,5-8,0	10
12 / 2,5-3,5	28-F012/2,5-3,5	10
12 / 3,5-5,0	28-F012/3,5-5,0	10
12 / 5,0-6,5	28-F012/5,0-6,5	10
12 / 6,5-8,0	28-F012/6,5-8,0	10
12 / 7,0-8,5	28-F012/7,0-8,5	10
14 / 5,8-8,0	28-F014/5,8-8,0	10
14 / 8,0-10,0	28-F014/8,0-10,0	10
16 / 5,8-8,0	28-F016/5,8-8,0	10
16 / 8,0-10,0	28-F016/8,0-10,0	10
18 / 9,4-12,0	28-F018/8,0-10,0	10
20 / 5,5-8,0	28-F020/5,5-8,0	10
20 / 9,4-12,0	28-F020/9,4-12,0	10
20 / 7,0-9,5	28-F020/7,0-9,5	UD*
20 / 5,5-7,2	28-F020/5,5-7,2	UD*
20 / 5,5-8,0	28-F020/5,5-8,0	10

Other sizes and configurations available upon request

*Under development

Performance :

- Sealing : up to 0,5 bar
- Pull-out force duct seal vs duct 10mm : $\geq 100N$
- Pull-out force duct seal vs duct 12mm : $\geq 120N$
- Pull-out force duct seal vs duct 14mm : $\geq 140N$
- Pull-out force duct seal vs duct 16mm : $\geq 160N$
- Pull-out force duct seal vs duct 18mm : $\geq 180N$
- Pull-out force duct seal vs duct 20mm : $\geq 200N$
- Mechanical compression strength : $\geq 1000N$, 10 sec.

Split End Connector HDPE

Air & Waterproof, up to 0.25 Bar



Size (mm.)	Art.Nr.	MOQ
32/3x10	28-F032/3x10	10
40/10x7	28-F040/10x7	10
40/4x12	28-F040/4x12	10
40/5x10	28-F040/5x10	10
40/3x14	28-F040/3x14	10
50/7x10	28-F050/7x10	10
50/7x12	28-F050/7x12	10
50/10x7+1x12	28-F050/10x7+1x12	10
50/18x7	28-F050/18x7	10
63/24x7+1x14	28-F063/24x7+1x14	10

Other sizes and configurations available upon request

Easy installation / Retrofitting

Divisible seals for microducts provide a gas and watertight seal for open duct ends installed with air blown fiber or micro cables.

Materials :

- Plastic scales - glassfibre reinforced
- Closing key - glassfibre reinforced
- Sealing plug - EPDM

Performance :

- Sealing : up to 0,25 bar
- Pull-out force duct seal vs duct 32mm , 40mm : $\geq 1000N$
- Pull-out force duct seal vs duct 50mm , 63mm : $\geq 1200N$

Cable End Connector



Size(mm.)	Art.Nr.	MOQ
5	28-EE05/0,5-3,5	25
6	28-EE06/2,0-5,0	25
7	28-EE07/2,0-5,0	25
8	28-EE08/2,0-6,0	25
10	28-EE10/1,0-4,0	25
10	28-EE10/4,0-8,0	25
12	28-EE12/3,0-6,0	25
12	28-EE12/5,0-8,0	25
12	28-EE12/7,0-10,0	25
14	28-EE14/3,0-6,0	25
14	28-EE14/5,0-8,0	25
14	28-EE14/7,0-10,0	25
14	28-EE14/9,0-12,0	25
16	28-EE16/3,0-6,0	25
16	28-EE16/5,0-8,0	25
16	28-EE16/7,0-10,0	25
20	28-EE20/5,0-8,0	25
20	28-EE20/7,0-10,0	25
20	28-EE20/9,0-12,0	25

Materials :

- Body - Polycarbonate
- Guide tube retainer, release sleeve and Cap - POM
- Oring seal - Nitrile
- Gas block Seal - Silicone

Performance :

- Air & Water tight - 0,5Bar
- Design Lifetime: minimum period of 20 years

Double Sealed Connector (Outdoor)



Size(mm.)	Art.Nr.	MOQ
	28-e012/3/6/GBWB	25

Seal Connector



Size(mm.)	Art.Nr.	MOQ
12 /3-6	28-e012/GBWB 3-6	25
12 /5-8	28-e012/GBWB 5-8	25
14 /3-6	28-e014/GBWB 3-6	25
14 /5-8	28-e014/GBWB 8-6	25

Materials :

- Body - Polycarbonate
- Guide tube retainer, release sleeve and Cap - POM
- Oring seal - Nitrile
- Gas block Seal - Silicone

Performance :

- Peak tensile force - 200N.
- Air & Water tight - 0,5Bar
- Design Lifetime: minimum period of 20 years

Endcap



Size (mm.)	Art.Nr.	MOQ
5	34-DN005	100
7	34-DN007	100
8	34-DN008	100
10	34-DN010	100
12	34-DN012	100
14	34-DN014	100
16	34-DN016	100
18	34-DN018	100
20	34-DN020	100
25	34-DN025	100
32	34-DN032	100
40	34-DN040	100
50	34-DN050	100
63	34-DN063	100

Materials :

- Material: polyethylene (PE-LD)
- Material from GPN 250 / 219
upwards: polyethylene (PE-LLD)
Colour: yellow

For protection of DIN EN 10220, DIN EN 10255 and DIN EN ISO 1127 pipes during transport and storage. Discontinuous internal beads, offset by 180 degrees, permit venting and pressure equalization.

Plowing Connector



Size(mm.)	Art.Nr.	MOQ
32	33-DN032	48
40	33-DN040	48
50	33-DN050	40

Materials :

- Fittings - Acetal resin

Performance :

- Pressure level PN 16

Features :

- Optimal acceptance of the PE-pipe in the fitting. The vortex clamping ring and a robust O-ring ensure the tensional safety and tightness.
- No supporting sleeves required for water and compressed air.
- No inadmissible tensioning and weakening of the PE-pipe.
- Continually adequate sealing and shearing-protection forces, which are regulated automatically by the internal pressure of the medium.
- Thanks to the selection of the material cast or POM, no electrochemical corrosion on the tapping clamps and house-connection sliders.

Straight Connector (Brass)



Size(mm.)	Art.Nr.	MOQ
16	35-16x16M	75
20	35-20x20M	90
25	35-25x25M	60
32	35-32x32M	36
40	35-40x40M	36
50	35-50x50M	18

Spade for Plowing Connector, 2pc set



Size(mm.)	Art.Nr.	MOQ
32	79-041.071	1
40	79-041.072	1
50	79-041.073	1

Straight Connector



Size(mm.)	Art.Nr.	MOQ
16	35-16x16t	75
20	35-20x20t	90
25	35-25x25t	60
32	35-32x32t	36
40	35-40x40t	36
50	35-50x50t	18
63	35-63x63t	1
75	35-75x75t	1

Features :

- Straight couplers are a transparent coupler for connecting PE cable ducts.
- Water tight and air tight
- UV stabilised.
- Resistant to corrosion and most chemicals.
- In case of remounting : If the connector has been subjected to pressure, we recommend to replace the grippers.

Materials :

- Body: Polypropylene - Transparent
- Nut: Polypropylene – Metric: Orange Inch: Blue
- Grip Ring: Acetal – White
- Insert: Polypropylene – Inch: Transparent
- Seal: Nitrile Rubber - Black

Performance :

- Pressure: ≤ 16bar (230psi)
- Working temperature: < 60°C (140°F)

Comfit Connector



Size(mm.)	Art.Nr.	MOQ
32	31-40032M0032	70
40	31-40040M0040	60
50	31-40050M0050	33

Materials :

- Grip Ring- Acetal
- Nut - Polypropylene
- Blocking-Ring - Polypropylene
- Body - Polypropylene
- Seal - Nitrile Rubber

Performance :

- Working Temperatures : -15°C to + 60°C
- Pressures : Rated 12 bar. Higher pressures to 16 bar may be used for short periods during blowing operations.
- In case of remounting : If the connector has been subjected to pressure, we recommend to replace the grippers.

Reducing Connector



Size(mm.)	Art.Nr.	MOQ
20-16	35-20x16	50
25-20	35-25x20	35
32-20	35-32x20	54
32-25	35-32x25	48
40-25	35-40x25	30
40-32	35-40x32	22
50-25	35-50x25	18
50-32	35-50x32	25
50-40	35-50x40	24
63-32	35-63x32	15
63-40	35-63x40	15
63-50	35-63x50	12

Features :

- For use with HDPE pipes that comply with ISO 4427, EN 12201 and DIN 8074.
- Connects to metal and plastic accessories with ISO 7 threads.
- Made from top quality raw materials approved for drinking water by WRc, DVGW and KIWA.
- Allows easy and quick mounting without loss of parts.
- Unbreakable, corrosion-resistant and resistant to most chemicals.
- Stands up to tough working conditions, pipe bending and pulling.
- Complies with International Standards.
- In case of remounting : If the connector has been subjected to pressure, we recommend to replace the grippers.

Materials :

- Grip Ring- Acetal
- Nut - PPB UV stabilized with carbon black
- D-Ring - Nitril -Butyl Rubber
- Body - PPB UV stabilized with carbon black

Performance :

- Maximum Working Temperature :
Polypropylene 100°C
Acetal 80°C
- Working Conditions for 50 Year Lifetime :

Working Temperature	Working Pressure
up to 23°C	16 bar
40°C	7 bar
70°C	4 bar

Endstop



Size(mm.)	Art.Nr.	MOQ
16	35-16x16s	75
20	35-20x20s	90
25	35-25x25s	60
32	35-32x32s	36
40	35-40x40s	36
50	35-50x50s	18

Connector Box



Size(mm.)	Art.Nr.	MOQ
2x40mm	28-FPB 2x40mm	1

Features :

- 2 - way tube I / H closure in-line divisible
- The FPT in-line tube clousere is a completely divisible direct burried clousure which can be used for:
- Transition of tube to tube (same diameter)
- Transition of tube to different diameter tube
- Transition of microtube to microtube (one-on-one proportion)
- Transition of several microtubes to tube
- Transition of several minitubes to modular cable

The closure is excellently used for fibre network maintenance and fibre or tube blowing features.

The strain relief inlay parts are exchangable, therefore it's possible to use one housing for several diameters and applications. A range of 25, 32, 40, 50 mm are available for use with the closure housing.

Tube connectors are easy to install due to the length of the closure. The closure can be installed without any special tools which makes it easier to handle.

Performance :

-
- Sealing level : up to IP54
 - Crush resistance : up to 1000 N / 25 mm²

Connector Box



Size(mm.)	Art.Nr.	MOQ
4x40mm	28-FPB 4x40mm	1

Connector Box



Size(mm.)	Art.Nr.	MOQ
2 x 50	28-e50/50 CBL	1

Connector Box



Size(mm.)	Art.Nr.	MOQ
4 x 50	28-e50/50/50/50	1

Connector



Size(mm.)	Art.Nr.	MOQ
25/25/25 Y	28-e25/25/25 Y	1
32/32/32 Y	28-e32/32/32 Y	1
40/40/40 Y	28-e40/40/40 Y	1
50/50/50 Y	28-e50/50/50 Y	1

Connector



Size(mm.)	Art.Nr.	MOQ
32/32/32 T	28-e32/32/32 T	1
40/40/40 T	28-e40/40/40 T	1
50/50/50 T	28-e50/50/50 T	1

Features :

- T/Y/H/I closure to interconnect and branch micro-tubes in duct routes.
- It provides high network flexibility, upgradeability and uninterrupted fibre/cable connectivity with no need for splicing.
- Two half shells, fully splittable solution.

Materials :

- Rings - ABS/POM
- Body - HDPE/High Impact Polypropylene

Performance :

- Sealing level : only mechanical protection
- Lifetime : >20 years
- Use : Direct burial or manholes
Reopenable, Splittable
Tool free assembly

Branch Off 2 x 12 mm.



Size(mm.)	Art.Nr.	MOQ
2 x 12	28-e50/50 H	1

Branch Off 40 mm.



Size(mm.)	Art.Nr.	MOQ
40	28-e40/40H	1

Features :

- Branch-off connectors for outside applications
- Designed as manipulation point for branching at any place in network.

Materials :

- Body - PE
- Colour - Black

Port Maxifold



Size/Cable	Art.Nr.	MOQ
50/ 7x12	28e50/7x12	1

Port Minifold



Size/Cable	Art.Nr.	MOQ
50/ 5x10	50-33E5x10	1

Port Reducer



Size(mm.)	Art.Nr.	MOQ
50/ 2x20	28e50/20/20r	1

Port Reducer



Size(mm.)	Art.Nr.	MOQ
50-20	28-EPR 50/20	1
50-32	28-EPR 50/32	1
50-40	28-EPR 50/40	1
40-32	28-EPR 40/32	1

Repairing Connector



Size(mm.)	Art.Nr.	MOQ
32	33-EBM032	12
40	33-EBM040	12
50	33-EBM050	12

Coupler for PE ducts.

The connector is used for the gas- and water-tight connection of split ducts and ducts. The connectors are resistant to tensile. Fittings are out of PVC-U and are divisible.

Materials :

- PVC-U

Performance :

-
- 0.5 bar permanent (10 bar/30 min.)

Repairing Ducts, 2 mtr. splittable



Size(mm.)	Art.Nr.	MOQ
32	33-EBMR32	1
40	33-EBMR40	1
50	33-EBMR50	1

Coupler for connecting PE cable ducts.

- The split ducts were developed for the pressure-tight repair of empty ducts or ducts occupied with cables or pipes.
- They are suitable for the gas- and water-tight sealing of blow-in points
- They consist of two half shells manufactured out of high-quality PVC-U.
- The easy installation facilitates the branching off from pipeline routes.

Materials :

- Body - PVC

Performance :

-
- Gas- and water-tight up to 0,5 bar permanent (10 bar/30 min.)

Tool for repairing Ducts



Size(mm.)	Art.Nr.	MOQ
32	33-EBMV32	1
40	33-EBMV40	1
50	33-EBMV50	1

Fiberflex



Size	Art.Nr.	MOQ
25 Meter	28-LEKR54552	1
30 Meter	28-EKR72358	1
50 Meter	28-EKR72359	1

Trace Ball



Art.Nr.	MOQ
37-D/OM0019A	1

Trace Ball :

- The Electronic Marker System quickly pinpoints the location of buried facilities including buried splices, fiber optic facilities, service drops and manholes.
- Markers operate even in the presence of metal conduit or pipe, metallic conductors, fences.

Fiberflex :

- The duct rod for laying cables in houses
- Easy pulling-in of power, telecommunication and antenna cables in empty and occupied condint systems
- Pulling force up to 500 N

GM Wall Duct Seal :

- Air and watertight sealing of FttH home entries
- Supplied as one complete kit for sealing of one house connection
- High mechanical strength, resists ground movement, shocks and vibrations

Pull Eye (1)



Size(mm.)	Art.Nr.	MOQ
32	50-10PE118U	1
40	50-12PE142U	1
50	50-12PE173U	1
63	50-20PE228U	1

Pull Eye(2)



Size(mm.)	Art.Nr.	MOQ
32	50-11PE118U	1
40	50-11PE142U	1
50	50-11PE173U	1
63	50-11PE228U	1

GM Wall Duct Seal



Size(mm.)	Art.Nr.	MOQ
-	50-57GM12	1

Rodent protection Tape



Width/Length	Art.Nr.	Pipes Ø max
50mm/30m	27-001.66.2	12mm
100mm/30m	27-001.66.3	20mm
150mm/30m	27-001.66.4	40mm
200mm/30m	27-001.66.5	50mm

Features :

- This fiberglass tape is used to protect cables and/or microducts, in all situations where they may be exposed to attacks by rodents, for example inside handholes, manholes, tunnels, and other empty spaces. The tape can be applied to both new and already existing infrastructures.
- The tape is made with a 1.5 mm thickness fiberglass weave, natural color, and has one pre-glued side to facilitate installation on cables and/or ducts.

Micro cable storage bag



Size (mm)	Art.Nr.
420x 420x15	27-001.67
500x 500x15	27-001.66
610x 630x15	27-001.67.2

Features :

- The micro-cable storage bag is used inside manholes to protect the micro-cable overlength and to keep it secure and organized.
- It is made of a fiberglass fabric to prevent rodent attacks.

The bag has a high-resistance Velcro opening at the top with two flaps at the opposite sides to wrap the ducts and protect the entrance to the bag. A steel band inserted at the top back allows easy mounting of the bag on a multi-point bracket fixed to the wall. At the front, the bag has a transparent envelop to host the identification label of the cable / customer.



Manhole (PC)



Size(mm.)	Art.Nr.	MOQ
250 x 250	37-EK 268	1
400 x 400	37-EK 358	1
400 x 650	37-EK 368	1
400 x 800	37-EK 378	1
400 x 1165	37-EK 478	1
400 x 1600	37-EK 628	1
550 x 550	37-EK 288	1
550 x 1165	37-EK 338	1
650 x 650	37-EK 388	1
800 x 800	37-EK 328	1
800 x 1165	37-EK 508	1
800 x 1400	37-EK 428	1
800 x 1600	37-EK 708	1
800 x 1825	37-EK 728	1
800 x 2000	37-EK 738	1
800 x 2200	37-EK 748	1

Manhole Frame (70mm , 220mm)



Size(mm.)	Art.Nr.	MOQ
250 x 250	37-EKR 268	1
400 x 400	37-EKR 358	1
400 x 650	37-EKR 368	1
400 x 800	37-EKR 378	1
400 x 1165	37-EKR 478	1
400 x 1600	37-EKR 628	1
550 x 550	37-EKR 288	1
550 x 1165	37-EKR 338	1
650 x 650	37-EKR 388	1
800 x 800	37-EKR 328	1
800 x 1165	37-EKR 508	1
800 x 1400	37-EKR 428	1
800 x 1600	37-EKR 708	1
800 x 1825	37-EKR 728	1
800 x 2000	37-EKR 738	1
800 x 2200	37-EKR 748	1

Manhole Frame with Cassette (ALU)



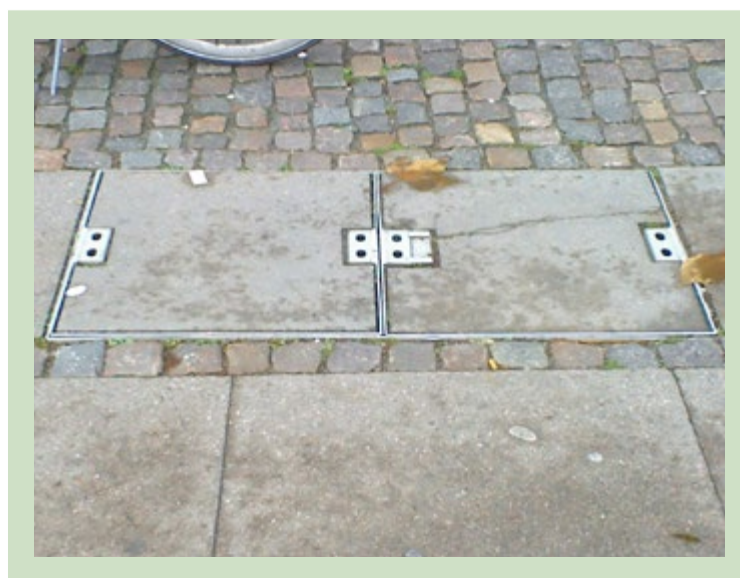
Size(mm.)	Art.Nr.	MOQ
250 X 250	37-EK268BK	1
400 X 650	37-EK368BK	1
400 X 800	37-EK378BK	1
400 X 1165	37-EK478BK	1
550 X 550	37-EK288BK	1
550 X 1165	37-EK338BK	1
800 X 800	37-EK328BK	1
800 X 1600	37-EK708BK	1

Features :

- Polycarbonate manholes are suitable as cable drawing manholes, telecommunication distribution systems and underground distribution systems. They are a durable and flexible alternative to concrete manholes.

Materials :

- Polycarbonate



Ø110mm Vagina For Flatliner



Size(mm.)	Art.Nr.	MOQ
110	37-200.112	1

Ø50-160mm Vagina For Micropipes



Size(mm.)	Art.Nr.	MOQ
50	37-200.050	1
110	37-200.110	1
140	37-200.140	1
160	37-200.160	1

Ø110mm Vagina For Micropipes



Size(mm.)	Art.Nr.	MOQ
110	37-200.111	1

Product advantages :

- The protective duct sealings are used at road crossings and for unoccupied cable ducts against the penetration of sand
- Due to the pre-cut sealing frame, ducts occupied with cables can be protected against alluvial sand
- The high-quality fittings are suitable for cable duct sockets and insertion ends
- They can easily and quickly be installed and substitute insecure temporary solutions

Materials :

- Body - PE
- Colour - Black

Product advantages :

- Protection for your cables, pipes and manholes
- The conduit seal prevents silting or sanding up of the cable installation pipes or manholes
- The special insert of egg crate foam seals off the cables
- The conduit seal can be opened so that it can be fitted to cables or manholes that are already installed

Materials :

- Body - PE
- Colour - Black

Reducer for a Manhole



Size(mm.)	Art.Nr.	MOQ
110 / 1 x 50	37-ST006300	1

Reducer for a Manhole



Size(mm.)	Art.Nr.	MOQ
110/ 2x50	37-ST006302	1

Product description :

- Pipe adapter, divisible
- For opening Ø 110 mm
- With 2 pipes inlets Ø 50 mm
- For inserting cables or pipes

Materials :

- Body - PE
- Colour - Black

Covering



Size(mm.)	Art.Nr.	MOQ
50-110	37-200.026	1

Product description :

- Stepped grommet
- To allow connection of different pipe sizes
- For opening Ø 110 mm
- Allows connection of pipes with external diameter 90, 75, 63, 50 and 40 mm

Rubber Reducer



Size(mm.)	Art.Nr.	MOQ
50-32	37-100/024	1
50-40	37-100/025	1

Product description :

- Moulded transition piece (reducer)
- Reducer for Ø 50 mm opening , divisible
- Can also be used with existing cables or manholes

Hook, 2pc set



Art.Nr.	MOQ
37-100/040	1

Product description :

- Lifting hook for cover
- Set (2 ea.)

Key



Art.Nr.	MOQ
37-KEY	1

Product description :

- Tools for attaching manhole cover
- Offset screwdriver for head form hex socket

Logo Plates



Size(mm.)	Art.Nr.	MOQ
40 x 80	37-311899	50

Product description :

- Customer-specific company symbol
- Covers can be equipped with a company-specific logo
- Cast bronze: for cast and chequered stud plate covers
- Aluminium: for concrete covers
- Recessed in cover

Materials :

- Body - Bronze , Aluminium
- Size - 80 x 40 mm

Tools Box

Art.Nr.	Size
79-100.002	S
79-100.001	L

Included : Knife for Flatliner, Micro Cutter, In-side Beveler, 2-26mm Cutter, 32-50mm Cutter, Pipeplough



Cutter



Size(mm.)	Art.Nr.	MOQ
32 - 50	79-041.041	1

Cutter Big



Size(mm.)	Art.Nr.	MOQ
50 - 75	79-041.047	1

Spare Blades



Size(mm.)	Art.Nr.	MOQ
32 - 50	79-041.041K	1

Minimum effort during cutting :

- Precise right-angled cuts
- Pin-point precision without deformation
- Precise pressure transfer and guided cutter feed
- Automatic, controlled opening of the blade at the push of a button
- Secure grip with the rubberised handles
- Shear arms lockable in transport position

Materials :

- Body - Aluminium
- Blade - Stainless Steel

Cutter



Size(mm.)	Art.Nr.	MOQ
2 - 26	79-041.039	1

Application advantages :

- Shear arms lockable in transport position
- Secure grip with the rubberised handles
- Precise right-angled cuts
- Precise pressure transfer and guided cutter feed
- Pin-point precision without deformation
- Minimum effort during cutting
- Automatic, controlled opening of the blade at the push of a button

Materials :

- Body - Aluminium
- Blade - Stainless Steel

Chain Cutter



Size(mm.)	Art.Nr.	MOQ
20 - 110	79-7.0285	1

Key Features :

- For copper, brass, aluminium, thin-walled steel pipes, as well as plastic coated pipe
- Ideal for working in confined spaces, e.g. parallel-running pipes

Pipeplough



Size(mm.)	Art.Nr.	MOQ
20 - 110	79-041.050	1

Pipeplough Spare Parts



Item	Art.Nr.	MOQ
Holder	79-041.052	1
Knife	79-041.051	1

Cable Stripping Knife with Safety Cap



Size(mm.)	Art.Nr.	MOQ
47mm	79-041.055	1

Key Features :

- Special blade with guide blade prevents damage of conductor strands
- For removal of insulation and sheath
- Blade and back sharpened
- Blade of tempered stainless steel

Knife for Flatliner



Art.Nr.	MOQ
79-041.053	1

Key Features :

- Both the handle and holster are made from super-durable PP plastic
- The holster can be attached to both a belt and a button on your work clothes - If your belt is thick, cut away the small pin on the cover
- The blade is made from Japanese knife steel, 2.5 mm carbon steel that has been hardened to 58-60 HRC

Micro Cutter



Size(mm.)	Art.Nr.	MOQ
0 - 12	79-041.038	1/10

Key Features :

- A hardened steel blade is mounted to a sturdy plastic spring-action frame
- Blade is easily replaced by removing two screws.
- Just align your duct with the blade and the "V" anvil and squeeze.

Rottary Cutter



Size(mm.)	Art.Nr.	MOQ
3 - 14	79-041.038C	1

Cutter :

- Rotary microduct cutter
- Fast Cut: Quick cutting with just a few turns
- Flexible casing, allows cutting on smaller diameters
- Less space required, ideal for hard-to-reach places
- No deformation of the pipe: self-clamping

Cutter



Size(mm.)	Art.Nr.	MOQ
40	79-041.062	1

Inside Beveler w. Blade



Art.Nr.	MOQ
79-041.037	1

Reifer



Size(mm.)	Art.Nr.	MOQ
32	79-0410.25	1
40	79-0410.30	1
50	79-0410.35	1

Inside/Outside Beveler



Size(mm.)	Art.Nr.	MOQ
4 -36	79-041.019	1

Fibre Tube Scoring Tool



Art.Nr.	MOQ
79-00.4743	1

Product description :

- Scores buffer tube sizes from 1.3 mm to 6.0 mm, eliminating multiple tools
- Factory fixed hardened carbon steel blade requires no timely blade adjustment
- Body made of strong resilient acetal polymer

Reaming and Deburring Tool



Size(mm.)	Art.Nr.	MOQ
-	79-00.6467	1

Product description :

- Tool for deburring or reaming the internal surface of plastic blown fibre tubes from 2mm to 12mm
- Comfort grip handle

Compact Plastic Duct Cutter



Size(mm.)	Art.Nr.	MOQ
-	79-00.6468	1

Product description :

- PTFE coated blade for precision cutting of microducts up to a diameter of 14mm
- Incorporating a one-handed locking system
- Length - 133mm

All-in-one Fibre Cable & Kevlar Cutter



Size(mm.)	Art.Nr.	MOQ
-	79-00.6469	1

Product description :

- Designed to cut through Kevlar and steel wire reinforced fibre optic cables
- Length - 160mm

Multi Fibre Stripper



Size(mm.)	Art.Nr.	MOQ
-	79-00.5878	1

Product description :

- The adjustable blades can be set for any depth to help ensure nick-free stripping on a variety of coaxial cables
- The stripper is supplied with one round and three straight blades.
- The stripper can be used for circumferential and longitudinal stripping of fibre cables with a diameter of between 3.2mm – 5.6mm

Blown Fibre Preperation Tool



Product description :

- Tube cutter
- Bead crimper
- Manifold tube measurement guide
- Tube reforming nipple
- Gas and water block activation tool
- 30mm splice protector fibre guide

Fibre Optic Cable Stripper



Product description :

- Cutting and stripping to the very highest tolerances
- Stripping and removal of 2mm outer jacket
- Stripping 900µm buffer insulation
- Stripping 250µm acrylate coating
- Length:162mm
- Weight: 119g

Compact Fibre Optic Cable Stripper



Product description :

- For circumferential and longitudinal stripping
- The stripper uses two 'V' groove steps (0-3.2mm and 3mm- 6.4mm)
- Stripping of most fibre optic cables up to a maximum diameter of 6.4mm.

Slitter Mid Span Fibre Access Stripper



Product description :

- A simple and effective longitudinal sheath stripper tool for easy removal of the outer sheath of most fibres with a diameter of 1.5mm to 3.3mm
- 4 preset grooves, (1.5-1.9mm, 2.0-2.4mm, 2.5 -2.9mm and 3.0-3.3mm)



SPLICEBOX, 1-6 FIBERS

27-001.60

Product details :

- Box material : Polymer synthetic plastic
Box size (mm) : 120x95x55
Protection grade : IP68
- Clamp range cable gland: Ø 5mm – Ø 10mm
- Locking by means of incorporated cable retention in the box
- Cassette suitable for SM fiber glass G65A, R = 23 mm
- Suitable for 6x Heatshrink Ø 2.4 x 45mm welding protectors
- Packed per piece in transparent film, 5 pieces per carton



OUTDOOR REPAIR CUP

27-001.59

Product details :

- Box material : Polymer synthetic plastic
Box size (mm) : 85x155
Protection grade : IP68
- Suitable for cable diameters: Ø 5 mm – Ø 6,5 mm
- Integrated cable retention per cable
- Cassette suitable for optical fiber with R = 22,5 mm
- Splice tray capacity: 2 splice protectors ANT/mini heatshrink or 2 splice protectors heatshrink Ø 2,4 mm x 45 mm.
- Per piece packed in a transparent sealed bag

PASSIVE OPTICAL TERMINAL BOX



FPT-DW-1

Passive optical terminal box

Professional terminal box used in FTTH projects. Excellent sealing , reusable. For outdoor installations (wall-mounted, pole-mounted - using different accessories)

Optimal for cable protection under 12mm Diameter. 1:8 SC or 1:16 LC micro-splitter. (also SC single core or LC double core adapters)

Product details :

- Box material : Polymer synthetic plastic
- Box size (mm) : 210x175x50
- Fiber tray capacity : 12 core
- Weight (kg) : 0.5-0.6
- Protection grade : IP65
- Street cabinet : SC804020 , SC906023

PASSIVE OPTICAL TERMINAL BOX



FPT-DW-9

Passive optical terminal box

Professional terminal box used in FTTH projects. Flame retardant, dust-proof, UV-secure , compact structured. For outdoor installations (wall-mounted)

SC adapter is applicable

Product details :

- Box material : Polymer synthetic plastic
Box size (mm) : 165x131x34
Fiber tray capacity : 2 core
Weight (kg) : 0.2-0.3
Protection grade : IP65
Street cabinet : SC804020 , SC906023

TERMINAL BOX



FPT-FN-1

Terminal box

Professional terminal box used in FTTH projects. For indoor installations (wall-mounted).

It applies to wiring and protection of 4 cores indoor terminal. SC, FC, and E2000 adapters are applicable. The maximum capacity is 4F.

PRODUCT DETAILS :

- Box material : Polymer synthetic plastic
- Box size (mm) : 150x110x30
- Fiber tray capacity : 4 core
- Weight (kg) : 0.2-0.3

FIBER OPTICAL TERMINAL BOX



FPT-FN-12

Fiber optical terminal box

Professional terminal box used in FTTH projects. For indoor installations (wall-mounted).

It can be used universally with standard A86 splice box. SC adaptor and FC adapter are both applicable.

PRODUCT DETAILS :

- Box material : Polymer synthetic plastic
- Box size (mm) : 165x131x34
- Fiber tray capacity : 2 core
- Weight (kg) : 0.2-0.3
- Protection grade : IP65

FIBER OPTICAL TERMINAL BOX



FPT-C1

Fiber optical terminal box

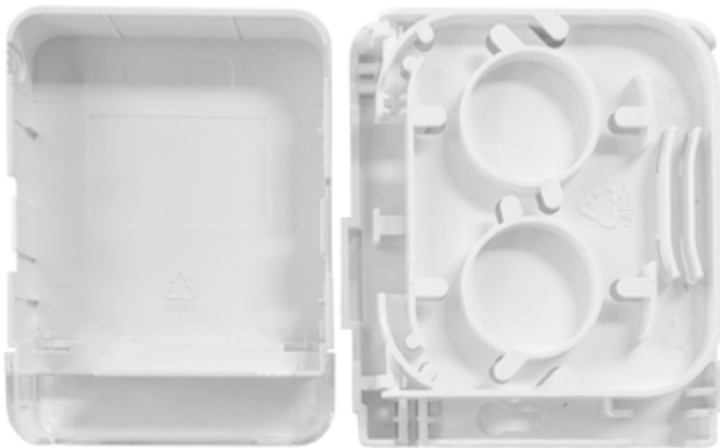
Professional terminal box used in FTTH projects.
For indoor installations (wall-mounted).

1 SC or 2 double LC adapters are applicable.

PRODUCT DETAILS :

- Box material : Polymer synthetic plastic
Box size (mm) : 148x90x16

FIBER OPTICAL TERMINAL BOX



FPT-1F

Fiber optical terminal box



Professional terminal box used in FTTH projects.
For indoor installations (wall-mounted).

1 SC or 1 double LC adapter is applicable.

PRODUCT DETAILS :

- Box material : Polymer synthetic plastic
Box size (mm) : 115x86x23

FIBER OPTICAL TERMINAL BOX



FPT-2C

Fiber optical terminal box

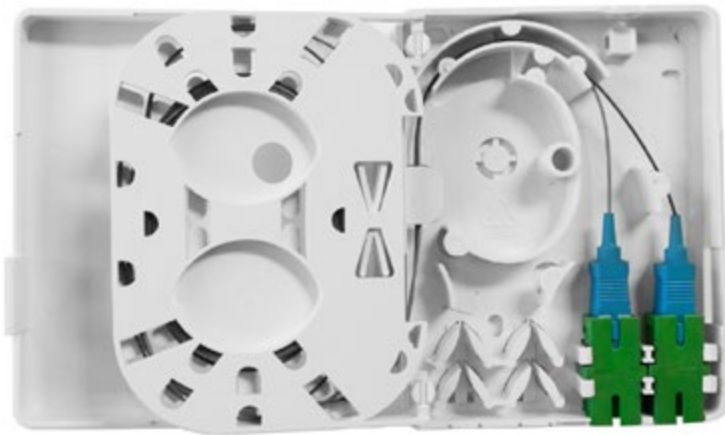
Professional terminal box used in FTTH projects.
For indoor installations (wall-mounted).

2 SC or 4 LC adapters are applicable.

PRODUCT DETAILS :

- Box material : Polymer synthetic plastic
Box size (mm) : 86x86x24

FIBER OPTICAL TERMINAL BOX



FPT-2D

Fiber optical terminal box



Professional terminal box used in FTTH projects. For indoor installations (wall-mounted).

2 SC or 2 double LC adapters are applicable.

PRODUCT DETAILS :

- Box material : Polymer synthetic plastic
Box size (mm) : 105x82,5x22,5

FIBER OPTICAL TERMINAL BOX



FPT-2H

Fiber optical terminal box



Professional terminal box used in FTTH projects.
For indoor installations (wall-mounted).

2 SC or 4 LC adapters are applicable.

PRODUCT DETAILS :

- Box material : Polymer synthetic plastic
Box size (mm) : 84x130x24

FIBER OPTICAL TERMINAL BOX



FPT-4F

Fiber optical terminal box

Professional terminal box used in FTTH projects.
For indoor installations (wall-mounted).

4 SC or 4 double LC adapters are applicable.

PRODUCT DETAILS :

- Box material : Polymer synthetic plastic
Box size (mm) : 100,5x80,5x28,8

PASSIVE OPTICAL TERMINAL BOX



FPT-FN-4

Passive optical terminal box

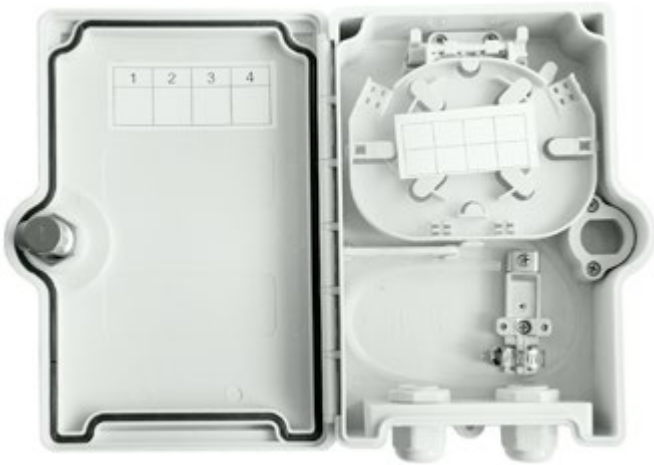
Professional terminal box used in FTTH projects. For indoor installations (wall-mounted).

It can be used universally with standard A86 splice box. SC adapter and FC adapter are both applicable.

PRODUCT DETAILS :

- Box material : Polymer synthetic plastic
 Box size (mm) : 86x27x86
 Fiber tray capacity : -
 Weight (kg) : 0.06-0.1

PASSIVE OPTICAL TERMINAL BOX



FPT-DW-2

Passive optical terminal box

PRODUCT DETAILS :

- Box material : Polymer synthetic plastic
Box size (mm) : 208x153x52
Fiber tray capacity : 4 core
Weight (kg) : 0.5-0.6
Protection grade : IP65
Street cabinet : SC804020 , SC906023



Professional terminal box used in FTTH projects. Excellent sealing , reusable. For outdoor installations.

Optimal for cable protection under 12mm Diameter. 1:2SC or 1:4LC micro-splitter is applicable, and it also can be installed with SC or LC double cores adapters.

Maximum of LC adapter is 4 cores while 2 cores is the maximum for SC adapter

PASSIVE OPTICAL TERMINAL BOX



FPT-DW-3

Passive optical terminal box

PRODUCT DETAILS :

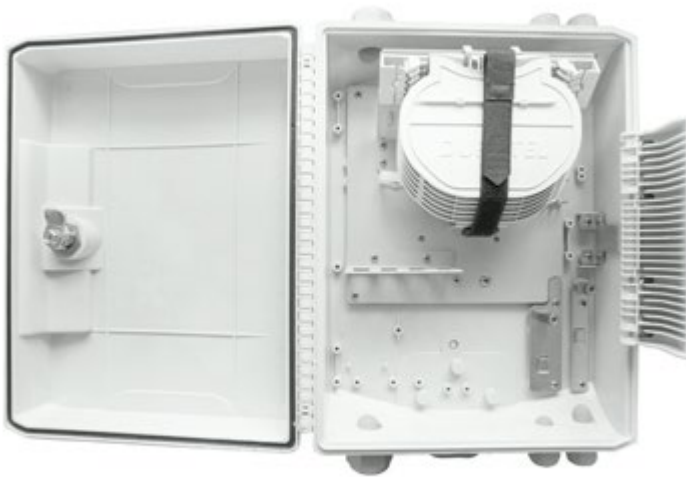
- Box material : Polymer synthetic plastic
Box size (mm) : 258x186x61
Fiber tray capacity : 12 or 24 core
Weight (kg) : 0.9-1.0
Protection grade : IP65
Street cabinet : SC804020 , SC906023

Professional terminal box used in FTTH projects.
Excellent sealing , reusable. For outdoor installations.

Optimal for cable protection under 12mm Diameter.
1:8SC or 1:16LC micro-splitter is applicable, and it also
can be installed with SC double cores or 4 cores LC
adapters.

Maximum of LC adapter is 24 cores while 12 cores is
the maximum for SC adapter.

PASSIVE OPTICAL TERMINAL BOX



FPT-A24/B24

Passive optical terminal box

PRODUCT DETAILS :

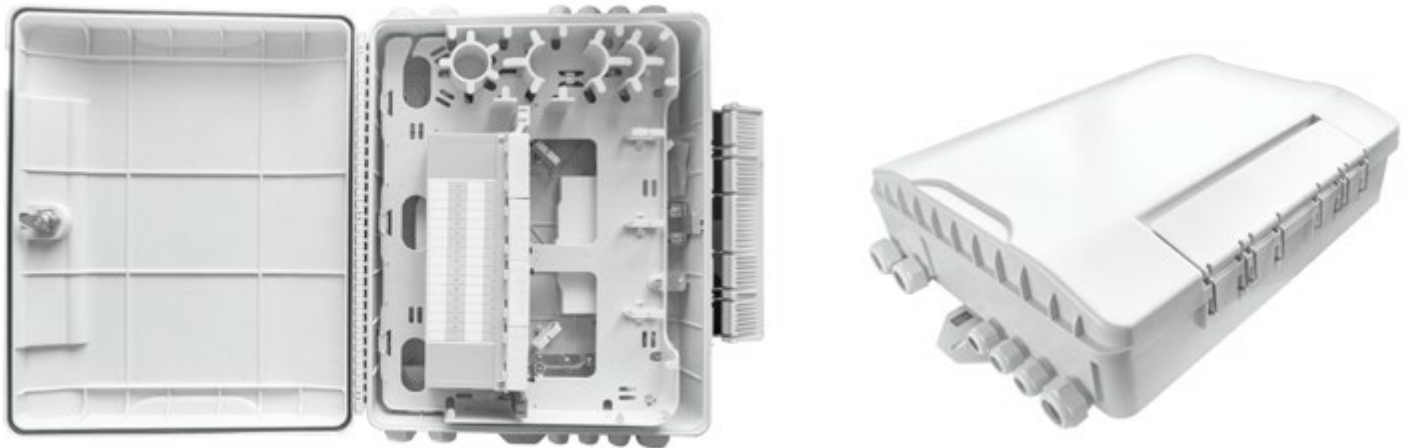
- Box material : Polymer synthetic plastic
Box size (mm) : 374x264x112
Fiber tray capacity : 24 core
Weight (kg) : 2.1-3.0
Protection grade : IP65
Street cabinet : SC804020 , SC906023

Professional terminal box used in FTTH projects. For outdoor installations. (wall-mounted, pole-mounted using different accessories)

Equipped with reliable fiber optic cable, soft cable fixed device. It is allowed to install the cassette optical splitter (1:4 ,1:8 ,1:16) and matched adapters.

Equipped with fiber splice protection and blade PLC splitter fixing devices.

TERMINAL DISTRIBUTION BOX



FPT-A48/B48

Terminal distribution box

Professional terminal box used in FTTH projects. For outdoor installations. (wall-mounted, pole-mounted using different accessories)

Equipped with reliable fiber optic cable, soft cable fixed device. It is allowed to install the cassette optical splitter (1:4,1:8,1:16) and matched adapters. Equipped with fiber splice protection and blade PLC splitter fixing devices.

PRODUCT DETAILS :

- Box material : Polymer synthetic plastic
- Box size (mm) : 504×374×134
- Fiber tray capacity : 48 core
- Weight (kg) : 4.8-5.2
- Protection grade : IP65
- Street cabinet : SC906023

SPLICE CLOSURE



FPT-9401

Splice closure

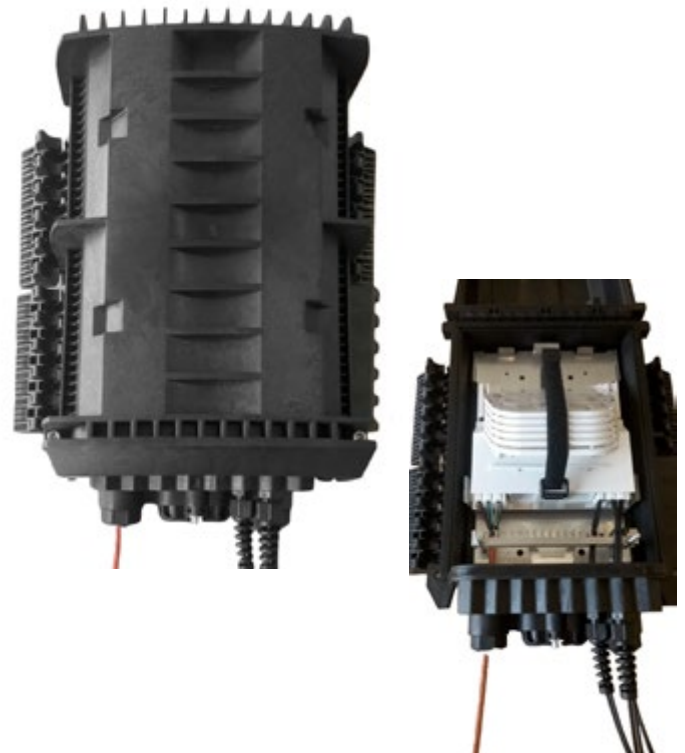
PRODUCT DETAILS :

- Box material : Modified polymer plastic
- Box size (mm) : 295×220×90
- Weight (kg) : 2.1-2.3

Excellent seal performance, reusable.
Installation Method: Wall-mounted,
pole-mounted, manhole.

Features:

- Distinguishable design, mechanical seal of spiral pattern, compact appearance.
- Cable, welding, wiring and interface connection protection can be provided.
- Vulcanized silicone sealing units can meet demands for $\Phi 10\sim 17.5$ cables



FPT-8202

Splice closure

PRODUCT DETAILS :

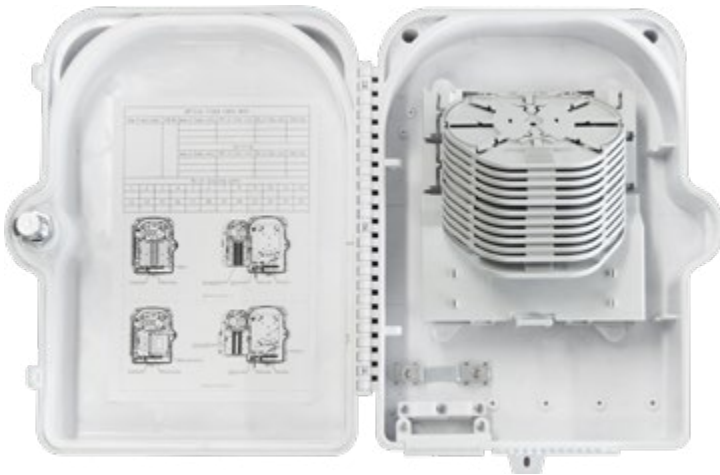
- Box material : Modified polymer plastic
- Box size (mm) : 380×245×130
- Weight (kg) : 3.0-3.5

Excellent sealing performance, reusable.
Protection grade is IP 68. Installation method:
wall-mounted, pipe-lined, pole-mounted

Features:

- One uncut cable port(applicable to cable diameter $D10\sim D17.5\text{mm}$), 24 cable ports (applicable to 8-type cable, the size is $2*3\text{mm}$), 24 adapters can be installed.
- It is 24F/cover tray, the maximum is 96F (4 cover trays), splitters can be installed on the cover tray (one 1:16 splitter or two 1:8 splitters).

TERMINAL DISTRIBUTION BOX



FPT-OTB-0216-E

Terminal distribution box

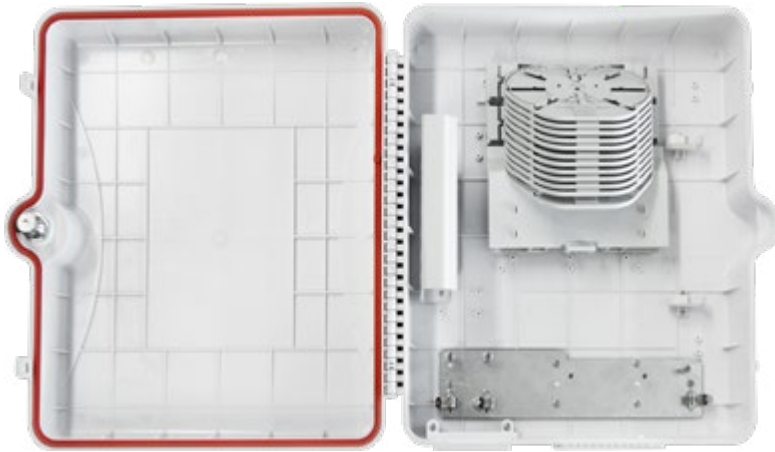
The fiber optic terminal box is suitable for optical fiber splitting/splicing using. It is reasonably designed for fiber arrangement, and its bend radius is more than 30mm.

PRODUCT DETAILS :

- Box material : ABS plastic
- Box size (mm) : 274.3×313.4× 114.1
- Fiber tray capacity : 48 core
- Weight (kg) : -
- Protection grade : -
- Street cabinet : SC804020 , SC906023

- Industry Standard User Interface, be made of ABS plastic
- Can accommodate 1x4,1x8,1X16, 2x4,2x8 & 2x16 PLC steel tube splitter
- Rainfall resistant, outdoor using
- Can load 24pcs LC, FC, ST, SC ... adapters
- Wall mounting and pole mounting application
- 2pcs cable entry ports; cable can be entry without cutting
- 24pcs exit ports for FTTH drop cable

TERMINAL DISTRIBUTION BOX



FPT-OTB-S48

Passive optical terminal box

PRODUCT DETAILS :

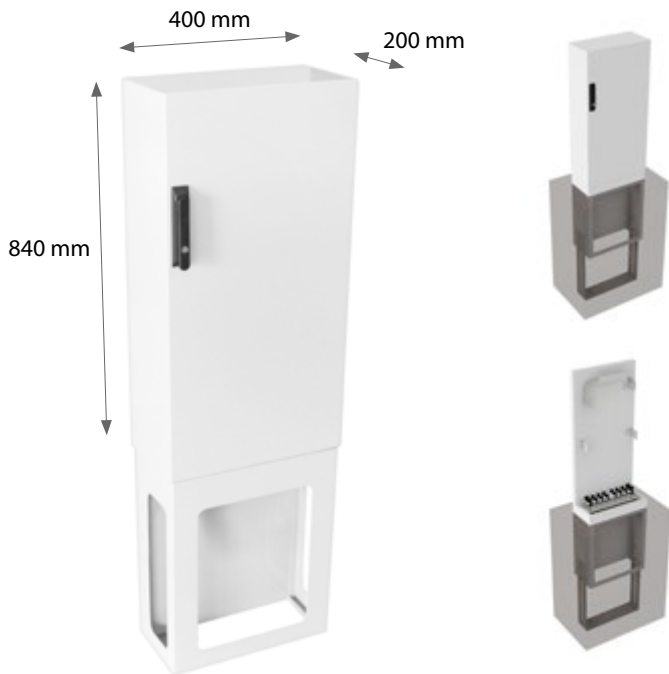
- Box material : ABS plastic
Box size (mm) : 380×355×140,5
Fiber tray capacity : 144 core
Weight (kg) : -
Protection grade : IP65
Street cabinet : SC906023

Fiber optic drop cable terminal box is used as a termination point for the feeder cable to connect with drop cable.

The fiber splicing, splitting, distribution can be done in this box, and meanwhile it provides solid protection and management for the FTTx network building.

- Standard size, light weight and reasonable enclosed structure
- Clamping for feeder cable and drop cable, fiber splicing, fixation, storage, distribution
- Cable, pigtails, patch cords are running through its own path without disturbing each other
- Suitable for SC, LC, FC, ST ... etc. adapters and can load PLC splitter
- Distribution panel can be flipped up, easy for maintenance and installation
- Indoor & outdoor wall mounted, pole mounted application

Street Cabinet for Microinfrastructure



SC804020

Professional street cabinet used in FTTH projects. Excellent performance , flexible structure. For small and medium areas. Easy installation process.

SC804020 is an innovative solution that is the optimal balance between size, density and access.

Optimal for cable protection.

Comb system for easy planning, blowing and splicing documentation.

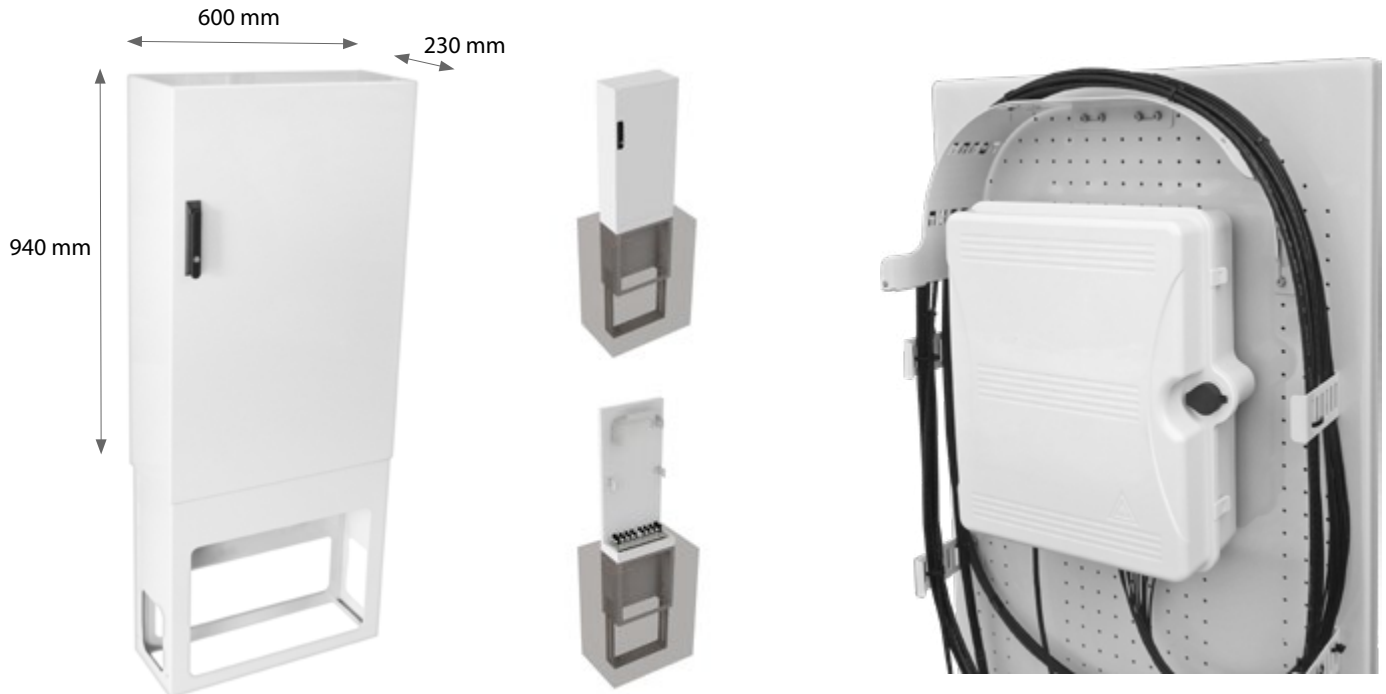
PRODUCT DETAILS :

- Number of Houses: 6-24
Max Fiber: 288
Cabinet material : Aluminium



- 12-288 optical fibers
- Breakout possibility
- Organized ducts, Easy access
- Rubber sealings elements $\varnothing 2 - \varnothing 12\text{mm}$
- Easy mounting in sections
- Made in Aluminium
- Different combinatios
- Violence protected with different lock systems
- Standard cable size from $\varnothing 2 - \varnothing 12\text{mm}$

Street Cabinet for Microinfrastructure



SC906023

Professional street cabinet used in FTTH projects. Excellent performance, flexible structure. For medium and large areas. Easy installation process.

SC906023 is an innovative solution that is the optimal balance between size, density and access.

Optimal for cable protection.

Comb system for easy planning, blowing and splicing documentation.

PRODUCT DETAILS :

- Number of Houses: 6-48
Max Fiber: 288
Cabinet material : Aluminium

- 12-288 optical fibers
- Breakout possibility
- Organized ducts, Easy access
- Rubber sealings elements $\varnothing 2 - \varnothing 12\text{mm}$
- Easy mounting in sections
- Made in Aluminium
- Different combinatios
- Violence protected with different lock systems
- Standard cable size from $\varnothing 2 - \varnothing 12\text{mm}$

Changable front cover



SC804020 / SC906023

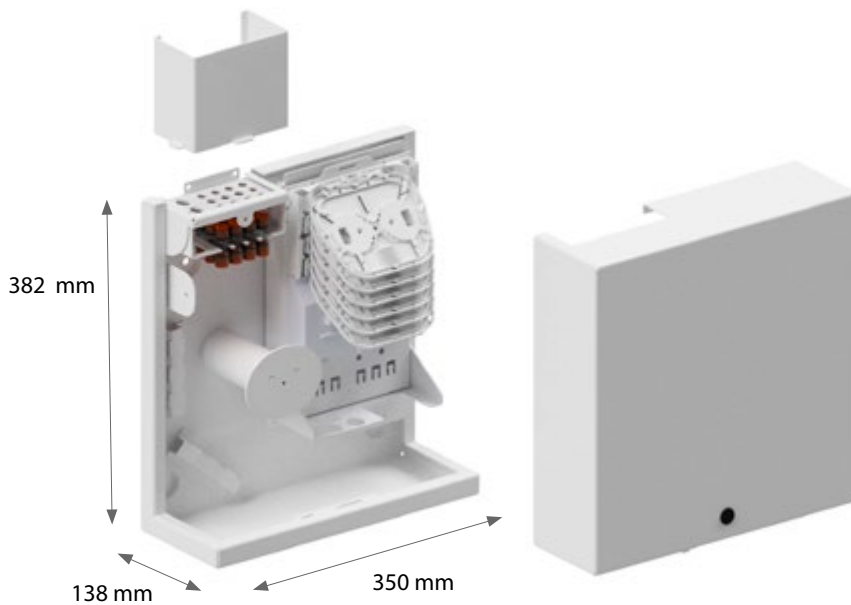
In case of damage, graffiti or posters the complete outer shell can be replaced in 1 minute.

No need to clean the street cabinet at location, it can be done in a chemical approved environment. Will save time and cost.

Changable front cover



Street Cabinet for Buildings



SCB381335

Professional cabinet used in FTTH projects. Excellent performance , flexible structure. For small and medium buildings. Easy installation process.

SCB381335 is an innovative solution that is the optimal balance between size, density and access.

Optimal for cable protection.

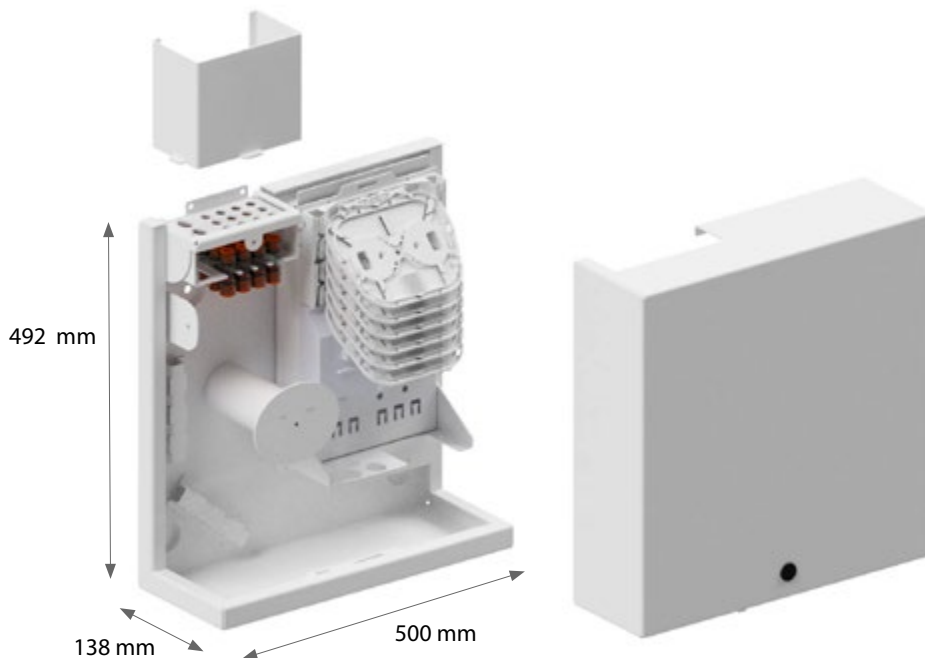
Comb system for easy planning, blowing and splicing documentation.

PRODUCT DETAILS :

- Number of Flats: 6-24
- Max Fiber: 288
- Cabinet material : Aluminium

- 12 -72 optical fibers
- 12 -216 optical fibers
- Breakout possibility
- Rubber sealings elements $\varnothing 2 - \varnothing 12\text{mm}$
- PG for cable solution
- Connectors for microducts solution
- Different cable sizes
- Different lock systems
- Small series on customers demand

Street Cabinet for Buildings



SCB491350

Professional street cabinet used in FTTH projects. Excellent performance , flexible structure. For small and medium areas. Easy installation process.

SCB491350 is an innovative solution that is the optimal balance between size, density and access.

Optimal for cable protection.

Comb system for easy planning, blowing and splicing documentation.

PRODUCT DETAILS :

- Number of Flats: 6-48
Max Fiber: 288
Cabinet material : Aluminium

- 12 -72 optical fibers
- 12 -216 optical fibers
- Breakout possibility
- Rubber sealings elements $\varnothing 2 - \varnothing 12\text{mm}$
- PG for cable solution
- Connectors for microducts solution
- Different cable sizes
- Different lock systems
- Small series on customers demand

FPT MicroFlow

Control unit

FPT Microflow's control unit has a user friendly touch display, which can be used to make a number of different adjustments:

- Adjustment of maximum motor torque
- Adjustment of maximum speed
- Presetting of counter with automatic stop after a certain blowing distance
- Acceleration - from start to maximum speed
- Deceleration - from maximum speed to stop
- The display shows different information during blowing, for instance: Meter count, Actual speed and Actual torque

Protection technology

- Unique protection technology that stops the machine if the fiber cable meets an obstacle.
- Unique protection technology that stops the machine if the motor exceeds the preset maximum torque level.

In both cases the machine stops immediately so the fiber cable does not get damaged. After the protection technology has stopped the machine, it will automatically start up again. It will try 3 times total to get through the obstacle, if it still has not succeeded it will come to a full stop.

The blowing process

- The machine is placed on a stable surface and the fiber cable is placed in the machine.
- The duct, in which the fiber cable is to be blown, is placed in the machine .
- The pulling wheels are adjusted.
- With the control unit the torque level, speed and blowing distance can be adjusted.
- Press the start button to start the machine, and after 10-20 m the air is turned on.
- The cable blowing is now automatic and can be stopped either manually by pressing the stop button or automatically when the preset blowing distance has been reached.



Model	FPT MicroFlow	
Fiber/Cable Diameter	0,8-5,5 mm	
Tube Size (OD)	5-16 mm	
Max. Pushing Force	-	
Install Speed to	100 m/min	
Distance	Up to 2,5 km	
Recommended Airflow Recommended Pressure	200-500 l/per min 8-16 bar air	
Length:	Machine:	Control Box:
Width:	25 cm	25 cm
Height:	15 cm	16 cm
Weight:	22 cm	13 cm
	9,7 kg	1,9 kg

FPT MiniFlow

User friendly design

FPT MiniFlow has a user friendly design, that makes for easy operation. The machine is designed with the main focus on functionality that includes:

- Rugged Stainless construction
- Safety chain guard
- Large easy to use adjustable knobs
- Push force indicator

Efficient cable blowing

FPT MiniFlow is a compact and efficient cable blowing machine. The machine is capable of installing fiber cable at a speed up to 100 m/min. and up to a distance of 3,5 km.

Built-in meter counter

FPT MiniFlow has a built-in mechanical meter counter. The counter is easy to read and is robust and simple to operate. OPTIONAL: available with electronic counter and tachometer.

Flexibility

FPT MiniFlow is very flexible, the machine can quickly be adapted to accommodate different cable and duct sizes.

Cable damage safety

FPT MiniFlow has a unique monitoring system, which continuously monitors the pushing force, applied on the fiber cable. This makes it possible to stop the drive wheels before the cable is damaged.

The following equipment is needed to run:

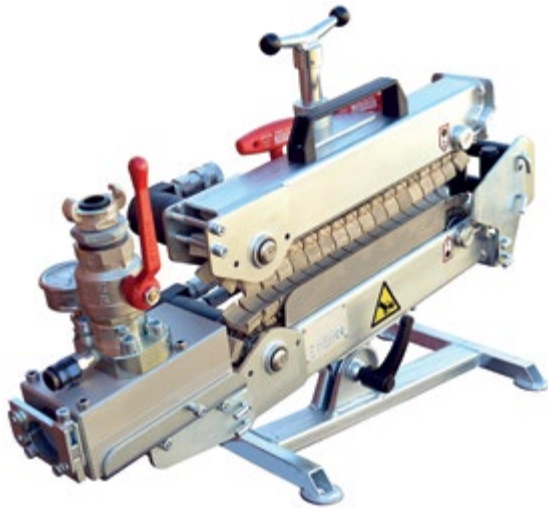
- Hydraulic pump + control valve.
- High pressure compressor + hoses.

We offer all accessories on request.

Full training - theory and practice - is always provided.



Model	FPT MiniFlow
Fiber/Cable Diameter	4-12,0 mm
Tube Size (OD)	7-20,0 mm
Max. Pushing Force	-
Install Speed to	100 m/min.
Distance	Up to 3.5 km
Recommended Airflow Recommended Pressure	1.000 l/pr. min. 8-16 bar air
Length: Width: Height: Weight:	650 mm 220 mm 225 mm 24kg.



FPT MultiFlow

User friendly design

FPT MultiFlow has a user friendly design, which makes the machine easy to operate. The machine is designed with main focus on functionality that makes cable blowing is easy.

Efficient cable blowing

Fiber MultiPower is a very efficient cable blowing machine. It can blow cables with a speed up to 80 m/min. It is possible to blow distances up to 10 km.

Cable blowing using either air or water

With Fiber MultiPower it is possible to install fiber optic cables using either air or water. With water assisted cable blowing you can achieve optimal results, especially when installing larger cables or blowing long distances.

Robust

Fiber MultiPower is constructed in a way that it is robust and can withstand being used as the special conditions there sometimes are at a cable blowing location are taken into account.

Flexibility





Fiber MultiPower is very flexible as the machine can be quickly changed to blow different sizes and numbers of micro ducts. There are many different sizes and combinations available to fit the different dimensions needed in a specific situation.

The following equipment is needed to run:

- Hydraulic pump + control valve.
- High pressure compressor + hoses.

We offer all accessories on request.

Full training - theory and practice - is always provided.

Model	FPT MultiFlow		
Fiber/Cable Diameter	8-32,0 mm		
Tube Size (OD)	18-70 mm		
Max. Pushing Force	-		
Install Speed to	80 m/min.		
Distance	Up to 10 km*		
Recommended Airflow Recommended Pressure	8.000-12.000 l/pr. min. 8-12 bar air		
Length: Width: Height: Weight:	700 mm 230 mm 350 mm 40 kg.		
<div style="display: flex; justify-content: space-around; align-items: center;"> <div style="text-align: center;">  32mm </div> <div style="text-align: center;">  40mm </div> <div style="text-align: center;">  50mm </div> <div style="text-align: center;">  MICRODUCT RELINER </div> </div>			
5x 3x - -	8x 5x 3x -	12x 7x 5x 4x	7 / 5,5 mm 10 / 8 mm 12 / 8 mm 14 / 11,5 mm

FPT-KAT Micro

High Performance

The cable blowing machine type FPT-KAT Micro may be used for the installation of sensitive micro-cables into micro-duct in just one procedure using compressed air.

During the blow-in operation the micro-cable is passing the cabling caterpillar. The integrated compressed-air connector consists of a two-piece aluminium casing.

Split sealing washers hermetically surround the cable to be blown-in.

The cable is driven forward by the air supplied from a suitable compressor. Air regulation is done by a valve which is integrated into the machine.

Two drive belts guarantee an excellent closed linkage to the cable. The upper belt can manually be moved up and down.

The aluminium-frame construction of the caterpillar guarantees stability, long operating life and light weight.

Accessories

- All of our machines are delivered with aluminium carrying case
- Sealing kit for cable diameters of 3-8mm and external duct diameters of 10mm
- Compressed air hose 10m

ALL YOU NEED IS AIR



Model	Fiber Kat Micro
Fiber/Cable Diameter	3 -8 mm OD
Tube Size (OD)	7 -20,0 mm OD
Max. pushing force	180N
Install Speed to	100 m/min.
Distance	2.5 km
Recommended Airflow Motor Air Pressure	- 7 bar
Length: Width: Height: Weight:	330 mm 220 mm 280 mm 7 kg.



FPT-KAT Mini

High Performance

The cable blowing machine type FPT-KAT may be used for the installation of sensitive micro-cables into micro-duct in just one procedure using compressed air.

During the blow-in operation the micro-cable is passing the cabling caterpillar. The integrated compressed-air connector consists of a two-piece aluminium casing.

Split sealing washers hermetically surround the cable to be blown-in.

The cable is driven forward by the air supplied from a suitable compressor. Air regulation is done by a valve which is integrated into the machine.

Two drive belts guarantee an excellent closed linkage to the cable. The upper belt can manually be moved up and down.

The electronic measuring device displays the blown-in cable length as well as the cable speed during blowing work.

The aluminium-frame construction of the caterpillar guarantees stability, long operating life and light weight.

Accessories

- All of our machines are delivered with aluminium carrying case
- Electronic speed/meter counter
- Adapter for cable OD 3-12mm
- Adapter for pipe OD 10-12-14-16-20 mm
- 2 sets. rubber band
- Gaskets set for fibercable 3-12mm
- 10 meter 3/4" airhose with couplers

ALL YOU NEED IS AIR

Model	Fiber Kat Mini
Fiber/Cable Diameter	3 -12 mm OD
Tube Size (OD)	7 -20,0 mm OD
Max. pushing force	400N
Install Speed to	120 m/min.
Distance	3.5 km
Recommended Airflow Motor Air Pressure	- 7 bar
Length: Width: Height: Weight:	540 mm 240 mm 290 mm 12 kg.

FPT-KAT Mini Log Box

High Performance

Through the electronic measure system is the FPT-KAT MINI Innovation on the fiber blowing equipment market and is listed as approved by Deutsche Telekom. All relevant data are automatically recorded and output as PDF in the USB port for data transfer.

Features

1. Blowing data logging
 - Blowing length, cable speed
 - Engine pressure
 - Push force on the cable
 - Air pressure in the duct
 - Environmental data (GPS, temperature, ect.)
2. Frame parameter preselection
 - Pipe, cable information
 - Construction project, section
 - Compressor, etc.
3. Diagram Live View
4. Internal memory for re-selection

Accessories

- All of our machines are delivered with aluminium carrying case
- Electronic speed/meters counter
- Adapter for cable OD 3-12mm•
- Adapter for pipe OD 10-12-14-16-20 mm
- 2 sets Rubber band
- Gaskets set for fibercable 3-12mm
- 10 meter 3/4" air hose with couplers

ALL YOU NEED IS AIR



Model	Fiber Kat Mini Log Box
Fiber/Cable Diameter	3 -8 mm OD
Tube Size (OD)	7 -20,0 mm OD
Max. pushing force	180N
Install Speed to	120 m/min.
Distance	3.5 km
Recommended Airflow Motor Air Pressure	- 7 bar
Length: Width: Height: Weight:	540 mm 240 mm 290 mm 12 kg.

FPT Lubric Micro 4-20mm & FPT Lubric Pipe 25-60mm



Size	Art.Nr.	MOQ
500ml	Lubric-micro 0,5l	12pcs in box
25l	Lubric-micro 25l	-
500ml	Lubric-pipe 0,5l	12pcs in box
25l	Lubric-pipe 25l	-

A special water based lubricant for fiber optical installations. LUBRIC allows to prelube the pipe or cable before/during the blowing procedure. It adheres perfectly to the cable or internal pipe surface and leaves a very tiny film. Lubric protects cables against dirt and retains its lubricating power even when water is present.

LUBRIC reduces surface friction and increases the blowing distance. Due to its consistency, fluidity and low evaporation rate, LUBRIC is recommended for all cable/pipe installations.

Materials :

- Water emulsion of different kind of polymers

Technical Specification:

- White liquid
- None odour
- Viscosity 120 sec. Ford cup diam. mm 4 at 20°C
- Mass Density 1,030 (+/-) 0,03 gr/cm³
- PH 7,5 (+/-) 0,5
- Non Inflammable
- Temperature -5°C to +70° C
- Biodegradable
- Non-toxic

Application :

1. Shake bottle
2. Fill the dispenser
3. Or prelubricate the cable /pipe using a sponge

Suggested quantities :

5 ml x 1000 m for internal Ø 4 mm
 10 ml x 1000 m for internal Ø 8 mm
 15 ml x 1000 m for internal Ø 12 mm
 20 ml x 1000 m for internal Ø 14 mm
 25 ml x 1000 m for internal Ø 16 mm
 35 ml x 1000 m for internal Ø 20 mm
 60 ml x 1000 m for internal Ø 25-30 mm
 70 ml x 1000 m for internal Ø 30-40 mm
 80 ml x 1000 m for internal Ø 40-60 mm

FPT Lubric Allround Gliss



Size	Art.Nr.	MOQ
1l	Lubric-gliss 1,0l	-
25l	Lubric-gliss 25l	-

FPT-Compact Receiver

Compact Receiver is an easy-to-use wire, cable and duct sondes locator. CR can be used to trace and pinpoint duct sondes and underground cables from several metres depth. Indoors CR be used e.g. to locate floor heating cables and wires inside walls.

Technical Specification:

- **Adjustments**
2 buttons for power on/off, 7-step gain adjustment and change of receiving frequency
- **Connectors**
Male connector for interchangeable probes
- **Sondes - additional setup**
4,6mm, 6,4mm, 7,5mm, 9,5mm, 18,0mm
- **LED indicators**
Green LED for power on and low battery indication, 12 red LEDs for received signal strength display (24 levels), for firmware version display, for battery status display and for active operating frequency display
- **Sound indicators**
Internal speaker for tracing signal and for other audible indications
- **Batteries**
3pcs. 1.5V IEC LR03 (AAA) alkaline batteries. Low battery warning at approx. 3.7V
- **Enclosure material & size**
Stainless steel and aluminium, 180 x Ø40 mm, weight approx. 230g (batteries included, no probes)
- **Protection class**
IEC 60529 IP44
- **Environmental conditions**
Usage -40...+60°C (dry or moist conditions)
Storage -40...+60°C (dry conditions)



CR - Basic setup

Sondes - additional setup



Accessories



